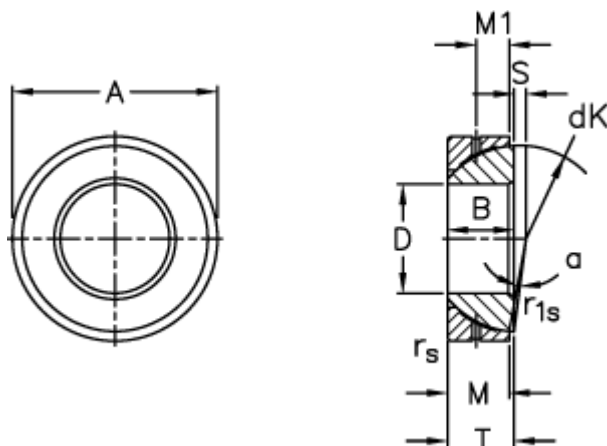


Article number: 03509045

Description: Fluro Rod end GE 45SX

## Measures



A	= 75 0 -0,016	S	= 3.5
B	= 20	Static load C0 (kN)	= 530
D	= 45 0 -0,012	T	= 20 +0,25 -0,40
dK	= 68.5	Tilt angle	= 3
Dynamic load C (kN)	= 106	Weight	= 416
M	= 18		
M1	= 10		
rs, r1s min	= 1		